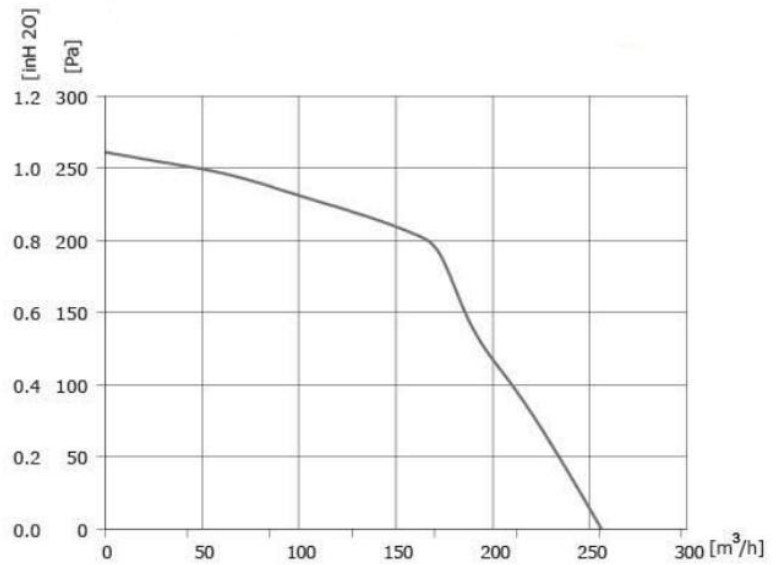


CENTRIFUGAL FAN - FORWARD
 DC

LWFE3G-108


Motor Type : BLEC Motor

Impeller Material : Galvanized Metal

Protection Class : IP44

Insulation Class : F

Certification : CE/ETL/CCC

Operation Temperature : - 25 °C ~ +60 °C

Bearing Type : Ball Bearing

Technical Feature :

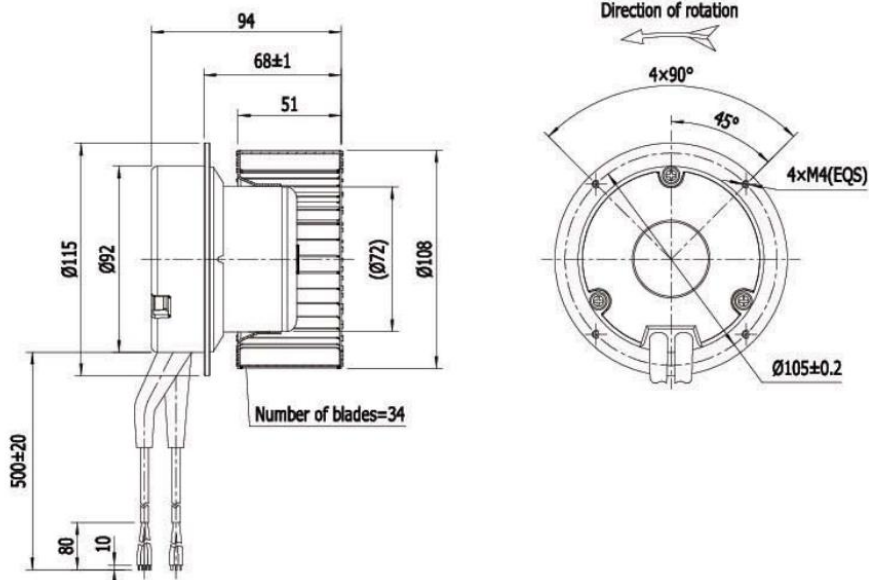
Control input 0~10VDC/PWM ,Tech output,Locked-Rotor protection ,

Reverse Polarity ,Over-voltage protection

Soft Start Protection,

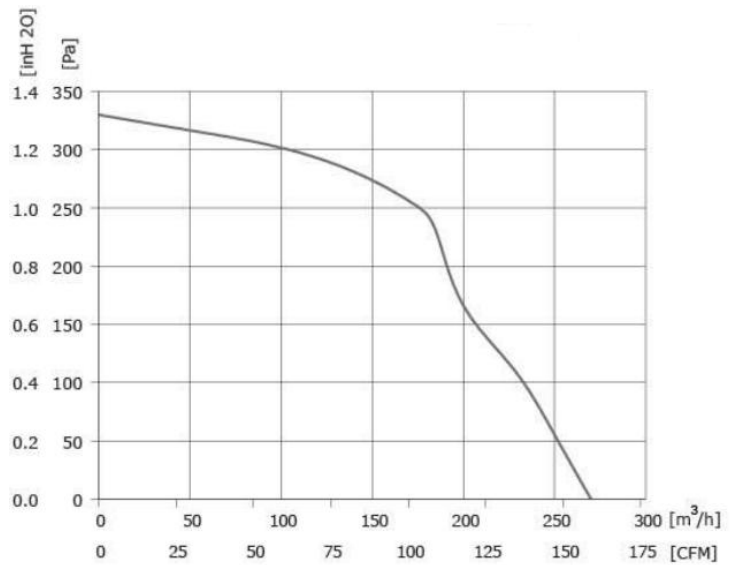
■ Technical Specification

Model	Bearing Type	Rated Voltage	Operating Voltage	Rated Current	Rated Power	Speed	Air Flow	Air Pressure	Noise
	B/S	V	V	A	W	RPM	m ³ /h	Pa	dBA
LWFE3G-108-072NS-01	Ball	230	200~277	0.43	48	2550	256	261	64



CENTRIFUGAL FAN - FORWARD
 DC

LWFE3G-120


Motor Type : BLEC Motor

Impeller Material : Galvanized Metal

Protection Class : IP44

Insulation Class : F

Certification : CE/ETL/CCC

Operation Temperature : - 25 °C ~ +60 °C

Bearing Type : Ball Bearing

Technical Feature :

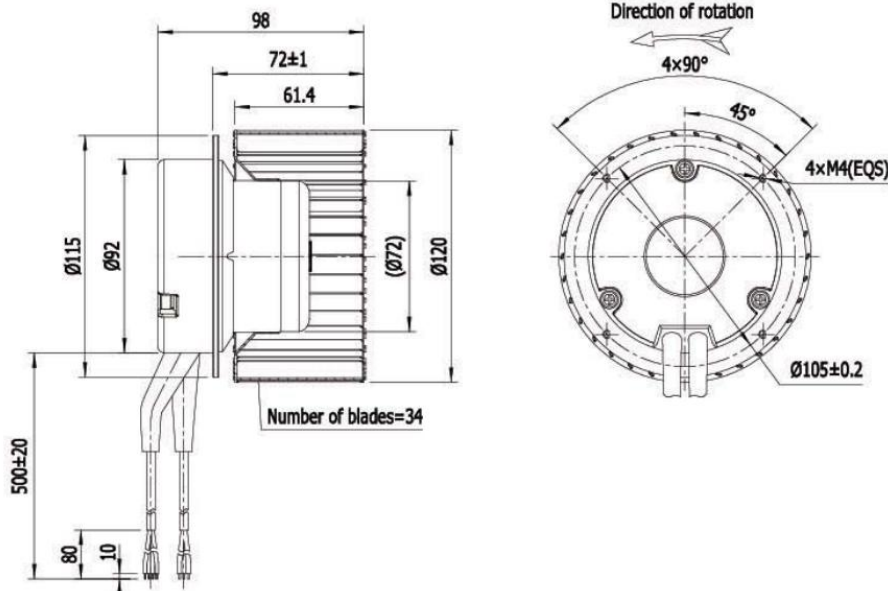
Control input 0~10VDC/PWM ,Tech output,Locked-Rotor protection ,

Reverse Polarity ,Over-voltage protection

Soft Start Protection,

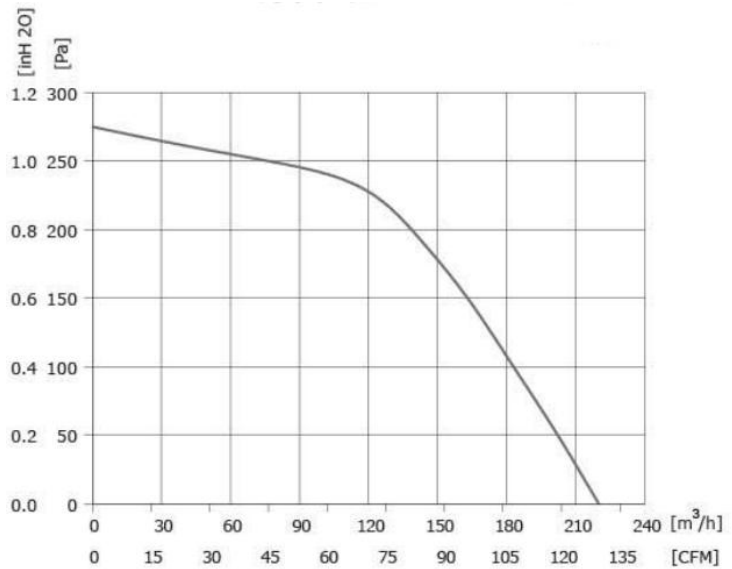
■ Technical Specification

Model	Bearing Type	Rated Voltage	Operating Voltage	Rated Current	Rated Power	Speed	Air Flow	Air Pressure	Noise
	B/S	V	V	A	W	RPM	m³/h	Pa	dBA
LWFE3G-120-072NS-01	Ball	230	200~277	0.53	61	2488	270	330	65



CENTRIFUGAL FAN - FORWARD
 DC

LWFE3G-133


Motor Type : BLEC Motor

Impeller Material : Galvanized Metal

Protection Class : IP44

Insulation Class : F

Certification : CE/ETL/CCC

Operation Temperature : - 25 °C ~ +60 °C

Bearing Type : Ball Bearing

Technical Feature :

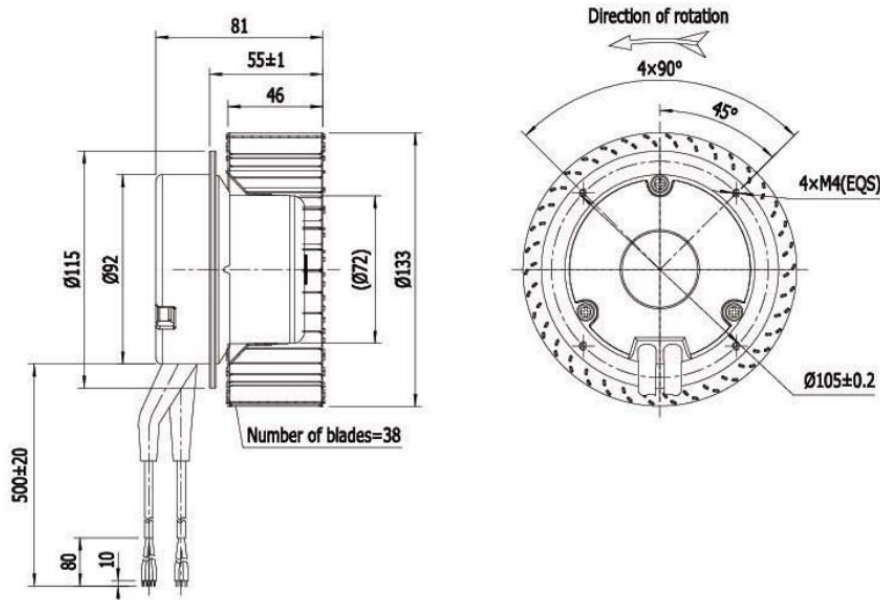
Control input 0~10VDC/PWM ,Tech output,Locked-Rotor protection ,

Reverse Polarity ,Over-voltage protection

Soft Start Protection,

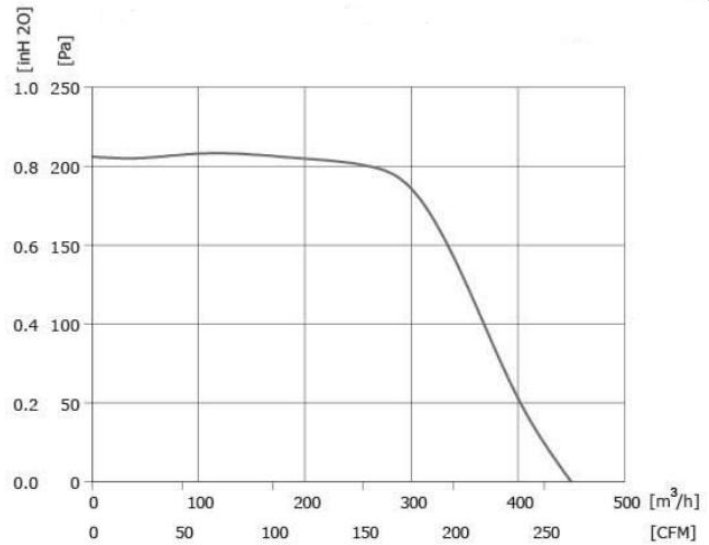
■ Technical Specification

Model	Bearing Type	Rated Voltage	Operating Voltage	Rated Current	Rated Power	Speed	Air Flow	Air Pressure	Noise
	B/S	V	V	A	W	RPM	m³/h	Pa	dBA
LWFE3G-133-072NS-01	Ball	230	200~277	0.3	38	1920	220	275	63



CENTRIFUGAL FAN - FORWARD
 EC

LWFE3G-140


Motor Type : BLEC Motor

Impeller Material : Galvanized Metal

Protection Class : IP44

Insulation Class : F

Certification : CE/ETL/CCC

Operation Temperature : - 25 °C ~ +60 °C

Bearing Type : Ball Bearing

Technical Feature :

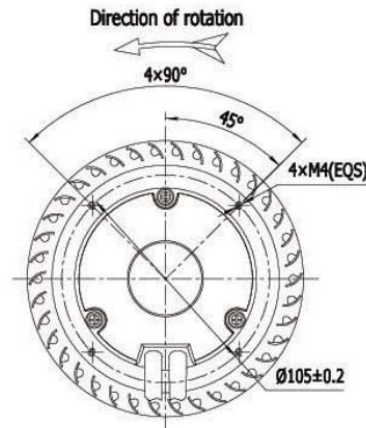
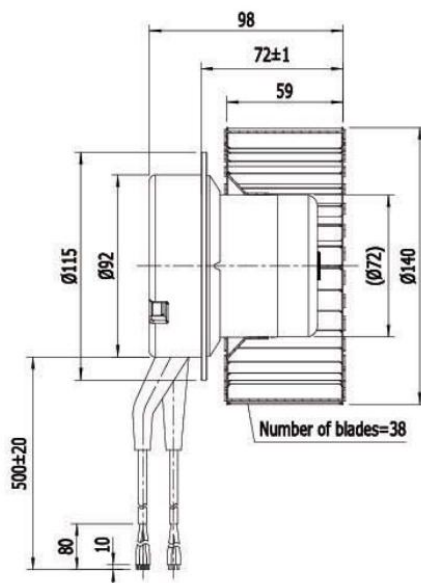
Control input 0~10VDC/PWM ,Tech output,Locked-Rotor protection ,

Reverse Polarity ,Over-voltage protection

Soft Start Protection,

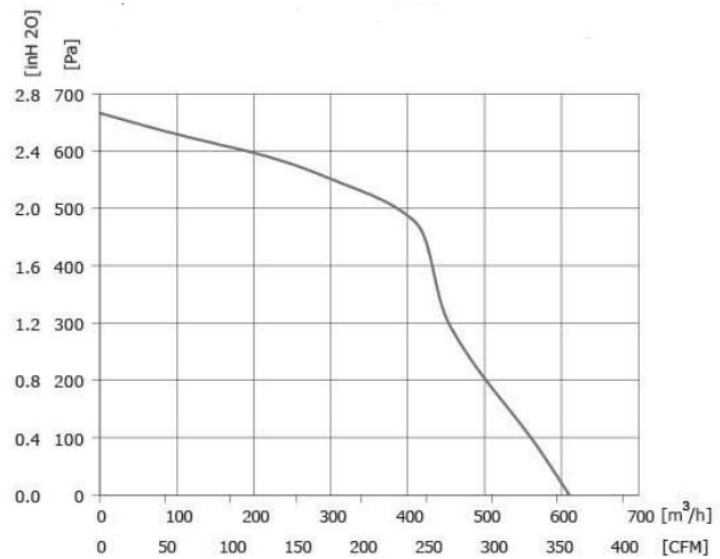
■ Technical Specification

Model	Bearing Type	Rated Voltage	Operating Voltage	Rated Current	Rated Power	Speed	Air Flow	Air Pressure	Noise
	B/S	V	V	A	W	RPM	m³/h	Pa	dBA
LWFE3G-140-072NS-01	Ball	230	200~277	0.55	64	1685	450	208	63



CENTRIFUGAL FAN - FORWARD
 EC

LWFE3G-146


Motor Type : BLEC Motor

Impeller Material : Galvanized Metal

Protection Class : IP44

Insulation Class : F

Certification : CE/ETL/CCC

Operation Temperature : - 25 °C ~ +60 °C

Bearing Type : Ball Bearing

Technical Feature :

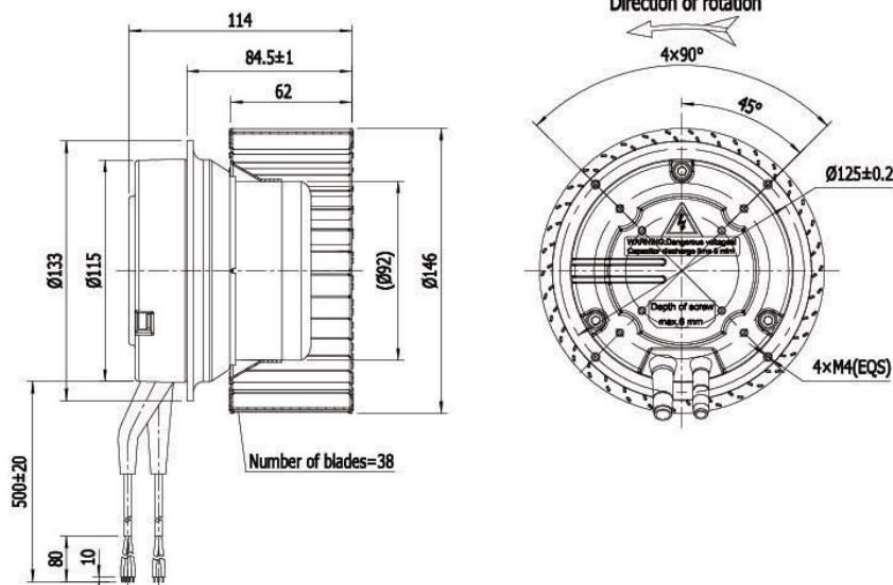
Control input 0~10VDC/PWM ,Tech output,Locked-Rotor protection ,

Reverse Polarity ,Over-voltage protection

Soft Start Protection,

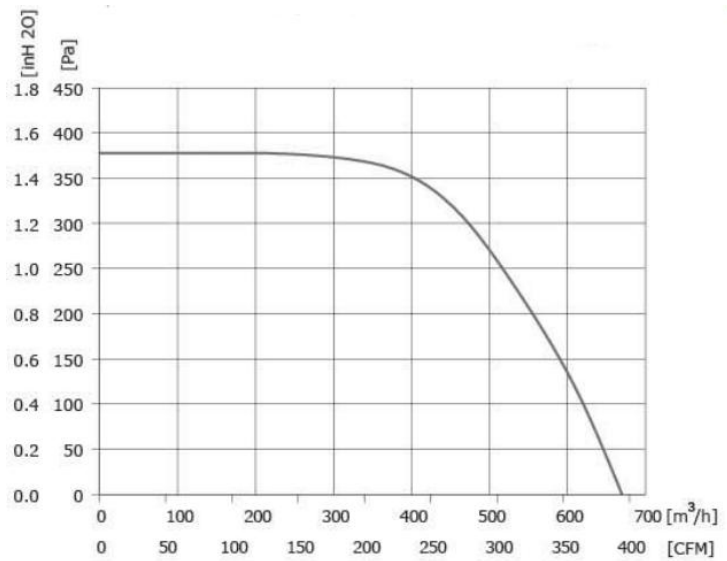
■ Technical Specification

Model	Bearing Type	Rated Voltage	Operating Voltage	Rated Current	Rated Power	Speed	Air Flow	Air Pressure	Noise
	B/S	V	V	A	W	RPM	m³/h	Pa	dBA
LWFE3G-146-092NS-01	Ball	230	200~277	1.3	175	2520	610	666	71



CENTRIFUGAL FAN - FORWARD
 EC

LWFE3G-160


Motor Type : BLEC Motor

Impeller Material : Galvanized Metal

Protection Class : IP44

Insulation Class : F

Certification : CE/ETL/CCC

Operation Temperature : - 25 °C ~ +60 °C

Bearing Type : Ball Bearing

Technical Feature :

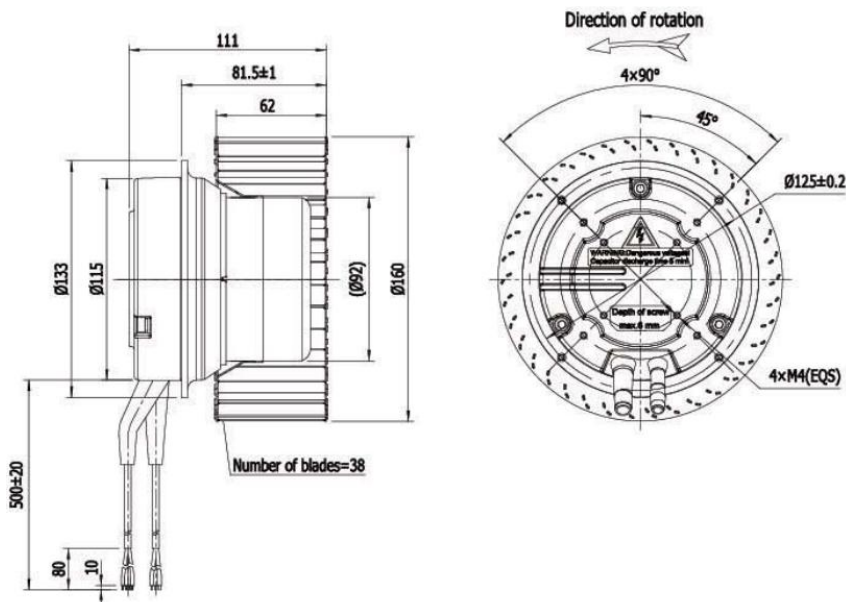
Control input 0~10VDC/PWM ,Tech output,Locked-Rotor protection ,

Reverse Polarity ,Over-voltage protection

Soft Start Protection,

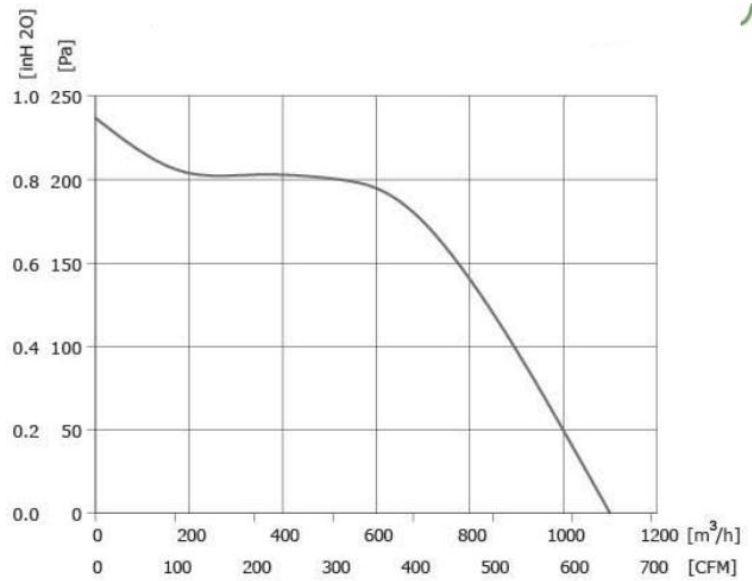
■ Technical Specification

Model	Bearing Type	Rated Voltage	Operating Voltage	Rated Current	Rated Power	Speed	Air Flow	Air Pressure	Noise
	B/S	V	V	A	W	RPM	m³/h	Pa	dBA
LWFE3G-160-092NS-01	Ball	230	200~277	1.28	177	2160	670	378	70



CENTRIFUGAL FAN - FORWARD
 EC

LWFE3G-180


Motor Type : BLEC Motor

Impeller Material : Galvanized Metal

Protection Class : IP44

Insulation Class : F

Certification : CE/ETL/CCC

Operation Temperature : - 25 °C ~ +60 °C

Bearing Type : Ball Bearing

Technical Feature :

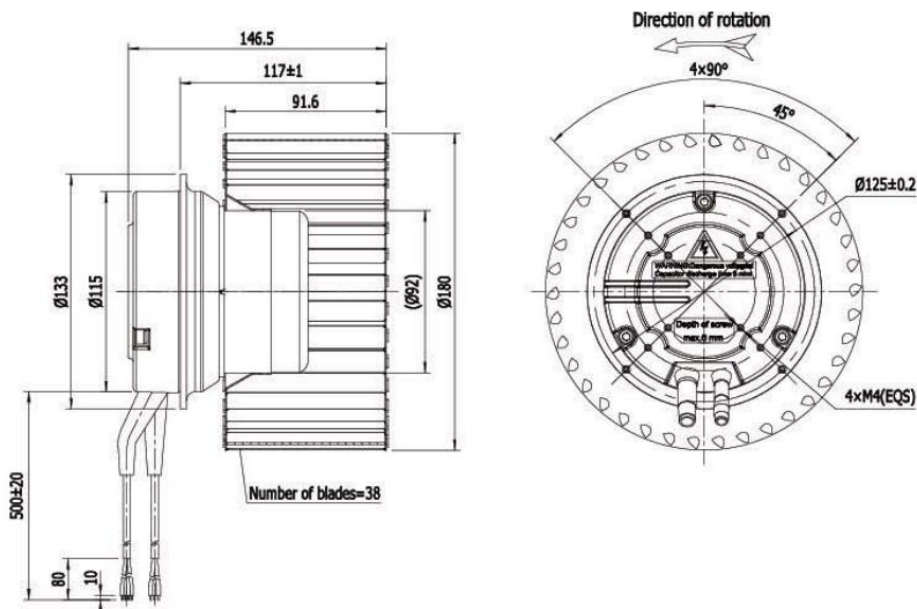
Control input 0~10VDC/PWM ,Tech output,Locked-Rotor protection ,

Reverse Polarity ,Over-voltage protection

Soft Start Protection,

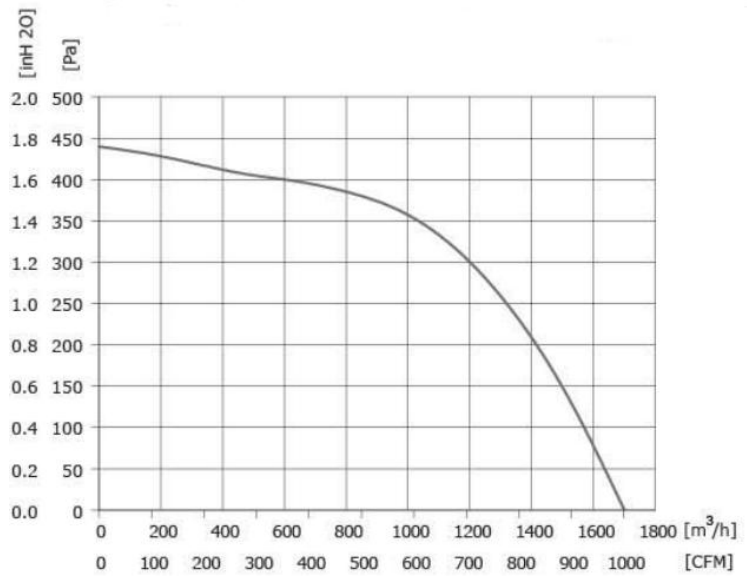
■ Technical Specification

Model	Bearing Type	Rated Voltage	Operating Voltage	Rated Current	Rated Power	Speed	Air Flow	Air Pressure	Noise
	B/S	V	V	A	W	RPM	m³/h	Pa	dBA
LWFE3G-180-092NS-01	Ball	230	200~277	1.18	158	1250	1100	237	60



CENTRIFUGAL FAN - FORWARD
EC

LWFE3G-200



Motor Type : BLEC Motor

Impeller Material : Galvanized Metal

Protection Class : IP44

Insulation Class : F

Certification : CE/ETL/CCC

Operation Temperature : - 25 °C ~ +60 °C

Bearing Type : Ball Bearing

Technical Feature :

Control input 0~10VDC/PWM ,Tech output,Locked-Rotor protection ,

Reverse Polarity ,Over-voltage protection

Soft Start Protection,

■ Technical Specification

Model	Bearing Type	Rated Voltage	Operating Voltage	Rated Current	Rated Power	Speed	Air Flow	Air Pressure	Noise
	B/S	V	V	A	W	RPM	m ³ /h	Pa	dBA
LWFE3G-200-102NS-01	Ball	230	200~277	3.1	510	1800	1700	440	77

